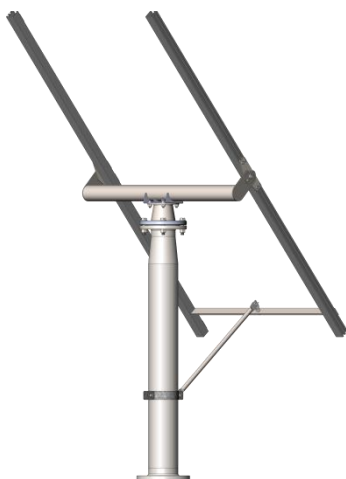


Heliofix FPV-2



Key specifications

Model:	FPV-2
Collector type:	Optional
Manufacturer:	HelioZenit AB

Performance

Max panel area:	4 m ²
Max panel weight:	90 kg

Dimensions

Length:	2400 mm
Width:	1020 mm
Weight:	35 kg

Overview

Heliofix FPV-2 is a ground mounted solar panel framework for residential use. The innovative design makes for a robust, easy-to-install and cost-effective system that can be set up anywhere by a single person using simple tools.

Framework features

- Sliding rails provide a flexible framework that can carry two panels of any size (200-400 watt PV panels).
- Allows installation of panels weighing up to 90 kg.
- Complete system of panel fasteners and other mounting accessories included.

Mount features

- Complete, easy-to-install solar mounting system.
- Quick assembly on any terrain and latitude.
- Robust structure capable of handling high wind speeds.
- Adjustable 180° horizontally and 30° to 90° vertically.

