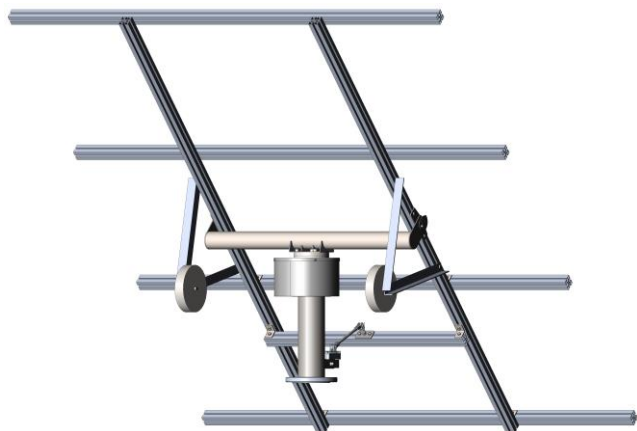


# Heliomotion PV-4



## Key specifications

Model:	PV-4
Collector type:	Optional
Tracker type:	Dual-axis
Manufacturer:	HelioZenit AB

## Performance

Max panel area:	8 m <sup>2</sup>
Max panel weight:	180 kg

## Dimensions

Length:	2400 mm
Width:	2400 mm
Weight:	60 kg

## Overview

Heliomotion PV-4 is a dual-axis solar tracker for home use. The framework allows for easy mounting of four photovoltaic solar panels or thermal solar collectors. By following the sun a Heliomotion delivers more energy than a stationary installation with the same dimensions.

## Framework features

- Sliding rails provide a flexible framework that can carry four panels of any size (200-400 watt PV panels).
- Adjustable counterweights allow installation of panels weighing up to 180 kg.
- Complete system of panel fasteners and other mounting accessories included.

## Tracker features

- Automatically determines sun's location from anywhere in the world using GPS and internal calculations.
- Innovative two axis design using only one actuator.
- High precision tracking to maximize energy production.
- Rotates 180° horizontally and 15° to 70° vertically.
- Reliable, low energy consumption and silent operation.
- Fast and cost efficient installation.

