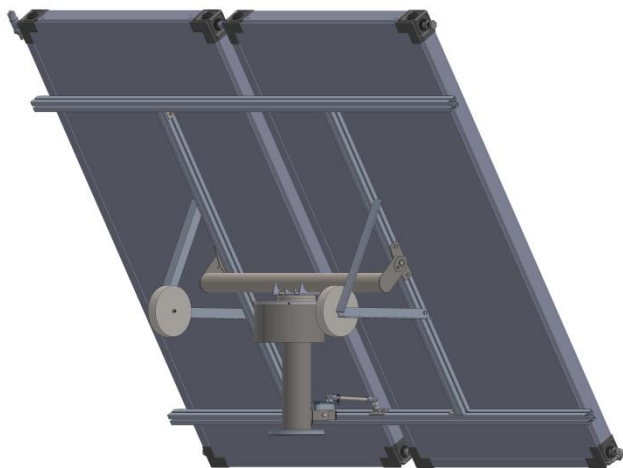


Heliomotion TC-2000



Key specifications

Model:	TC-2000
Collector type:	Flat plate collector
Tracker type:	Dual-axis tracker
Manufacturer:	HelioZenit AB

Performance

Peak effect (ΔT 0°):	2800 watt
Average effect (ΔT 40°):	2000 watt
Daily energy yield:	16-24 kWh

Physical specifications

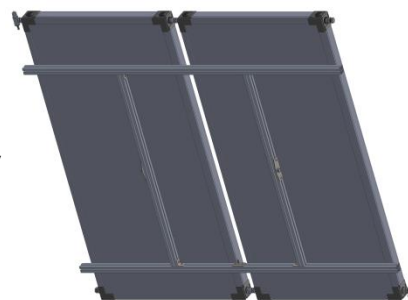
Length:	2000 mm
Width:	2200 mm
Area:	4.2 m ²
Weight:	120 kg

Overview

Heliomotion TC-2000 is a high efficiency, dual-axis tracking thermal solar collector for home use. By following the sun, and by using high efficiency collectors, the TC-2000 delivers up to twice as much energy as a same-sized stationary thermal collector.

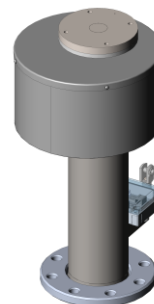
Collector features

- The collector consists of two high performance Onnline flat plate collectors to maximize the efficiency.
- Heats 300 liters of water 50°C per sunny day, the average daily consumption of a 4-6 person household.
- With an electricity cost of 0.15 €/kWh, the annual heat production of up to 3000 kWh in northern Europe gives up to 450 €/year in savings.



Tracker features

- Automatically determines sun's location from anywhere in the world using GPS and internal calculations.
- Innovative two axis design using only one actuator.
- High precision tracking to maximize energy production.
- Rotates 180° horizontally and 15° to 70° vertically.
- Reliable, low energy consumption and silent operation.
- Equipped with automatic high temperature protection, turning the collector away to prevent overheating.



For more information please visit www.heliomotion.com or contact us at info@heliozenit.com.